

SPECIFICATION FOR APPROVAL

MODEL : NAT80A-2-P

PYROELECTRIC INFRARED SENSOR

CUSTOMER:

APPROVED BY:

DATE:

TYPE: NAT80A-2-P

PAGE: 1 /6

CHART:

EDITION: A

SHANGHAI NICERA SENSOR CO.,LTD

TYPE OF SENSOR

OMNI-DIRECTIONAL QUAD ELEMENTS

PHYSICAL CONFIGURATION

- | | |
|------------------------|--------------------------------|
| (1) PACKAGE | TO-5 METAL CAN
SEE FIGURE A |
| (2) SENSITIVE AREA | 1.0×1.0 mm |
| (3) LEAD CONFIGURATION | SEE FIGURE B,C |

ELECTRICAL CHARACTERISTICS (AT 25±5°C)

- | | |
|--------------------------------|---|
| (1) CIRCUIT CONFIGURATION | SEE FIGURE D |
| (2) SUPPLY VOLTAGE | 2.2~15 V DC (Drain-Ground)
(Rs: 47K Ω) |
| (3) OFFSET VOLTAGE | 0.4~1.5 V
TYP 0.7 V (V _D =10V, Rs=47K Ω) |
| (4) SIGNAL OUTPUT | Min 3.5 Vp-p
TYP 5.5 Vp-p (Source-Ground)
(BLACK BODY 420K; CHOPPER
FREQUENCY 1Hz: MEASUREMENT
AMP. 0.3~3.0Hz、72.5db(AT 1Hz))
SEE FIGURE F |
| (5) SENSITIVITY 420K, 1Hz | 4860 V/W |
| (6) DETECTIVITY (420K,1Hz,1Hz) | 1.7×10 ⁸ cmHz ^{1/2} /W |
| (7) BALANCE OUTPUT | Max 15% (Source-Ground)
(BLACK BODY 420K; CHOPPER
FREQUENCY 1Hz: MEASUREMENT
AMP. 0.3~3.0Hz、72.5db(AT 1Hz))
SEE FIGURE G
 SA-SB / SA+SB |

TYPE: NAT80A-2-P

PAGE: 2/6

CHART:

EDITION: A

SHANGHAI NICERA SENSOR CO.,LTD

- A. IN RAPID ENVIRONMENTAL TEMPERATURE CHANGES.
- B. IN STRONG SHOCK OR VIBRATION. CUSTOMERS TO USE FALL PROTECTION, CERAMIC CHIP FRAGILE.
- C. IN A PLACE WHERE THERE ARE OBSTRUCTING MATERIALS (GLASS.FOG.ETC) THROUGH WHICH INFRARED RAYS CANNOT PASS WITHIN DETECTION AREA.
- D. IN FLUID. CORROSIVE GASES AND SEA BREEZE.
- E. CONTINUAL USE IN HIGH HUMIDITY ATMOSPHERE.
- F. EXPOSED TO DIRECT SUN LIGHT OR HEADLIGHTS OF AUTOMOBILES.
- G. EXPOSED TO DIRECT WIND FROM A HEATER OR AIR CONDITIONS.
- H. PRODUCTION PROCESS, NOT THE ACCUMULATION OF STACKED PCB BOARD,THE FILTER IS EASILY DAMAGED.

3. ASSEMBLY RESTRICTIONS/PRECAUTIONS

SOLDERING-----

- A. USE SOLDERING IRONS WHEN SOLDERING.
- B. AVOID KEEPING PINS OF THIS HOT FOR A LONG TIME AS EXCESSIVE HEAT MAY CAUSE DETERIORATION OF ITS QUALITY.(E.G. WITHIN 5 SEC. AT 350°C)
- C. AVOID STATIC ELECTRICITYOR STRONG ELECTROMAGNETIC WAVES. RECOMMENDED TO WEAR A SHIELD RING.

WASHING-----

- A. BE SURE TO WASH OUT ALL FLUX AFTER SOLDERING AS RENAINDER MAY CAUSE MALFUNCTIONS.
- B. USE A BRUSH WHEN WASHING.WASHING WITH AN ULTRASONIC CLEANER MAY CAUSE OPERATIONAL FAILURE.

4.HANDLING AND STORAGE RESTRICTIONS/PRECAUTIONS

TO PREVENT SENSOR MALFUNCTIONS, OPERATIONAL FAILURE. APPEARANCE DAMAGE OR ANY DETERIORATION OF ITS CHARACTERISTICS. DO NOT EXPOSE THIS SENSOR TO THE FOLLOWING OR SIMILAR, HANDLING AND STORAGE CONDITIONS.

- A. VIBRATION FOR A LONG TIME.
- B. STRONG SHOCK.
- C. STATIC ELECTRICITYOR STRONG ELECTROMAGNETIC WAVES.
- D. HIGH TEMPERATURE AND HUMIDITY FOR A LONG TIME.
- E. CORROSIVE GASES OR SEA BREEZE.
- F. DIRTY AND DUSTY ENVIRONMENTS THAT MAY CONTAMINATE THE OPTICAL WINDOWS.

SENSOR TROUBLES RESULTING FROM MISUSE. INAPPROPRIATE HANDLING OR STORAGE ARE NOT THE MANUFACTURER ' S RESPONSIBILITY.

TYPE: NAT80A-2-P

PAGE: 4 /6

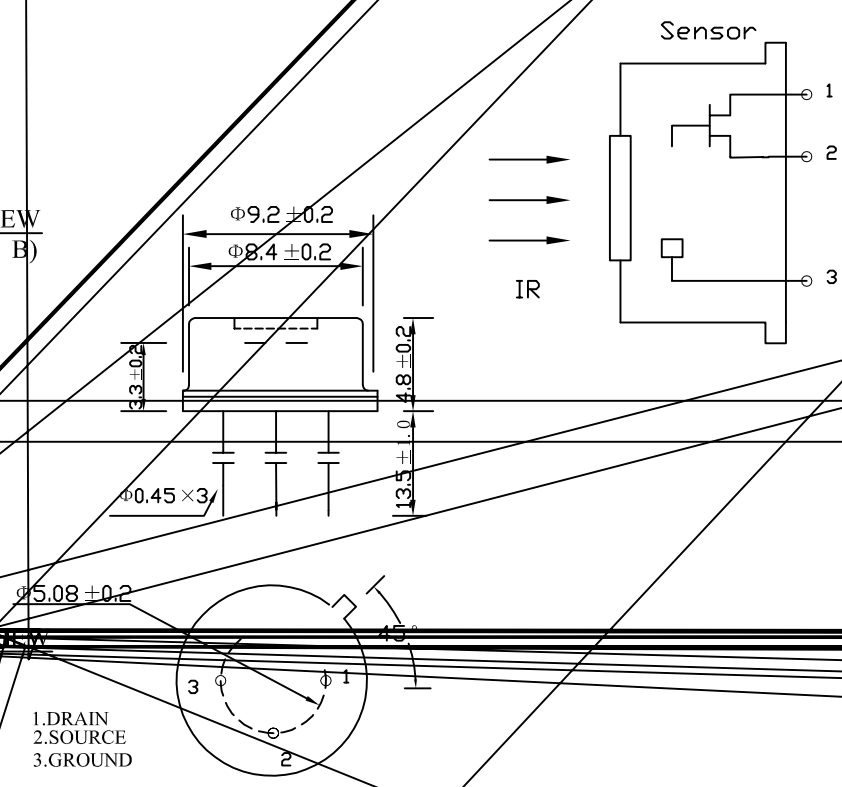
CHART:

EDITION: A

SHANGHAI NICERA SENSOR CO.,LTD

TOP VIEW
(FIGURE A)

SIDE VIEW
(FIGURE B)



1.DRAIN
2.SOURCE
3.GROUND

TYPE: NAT80A-2-P

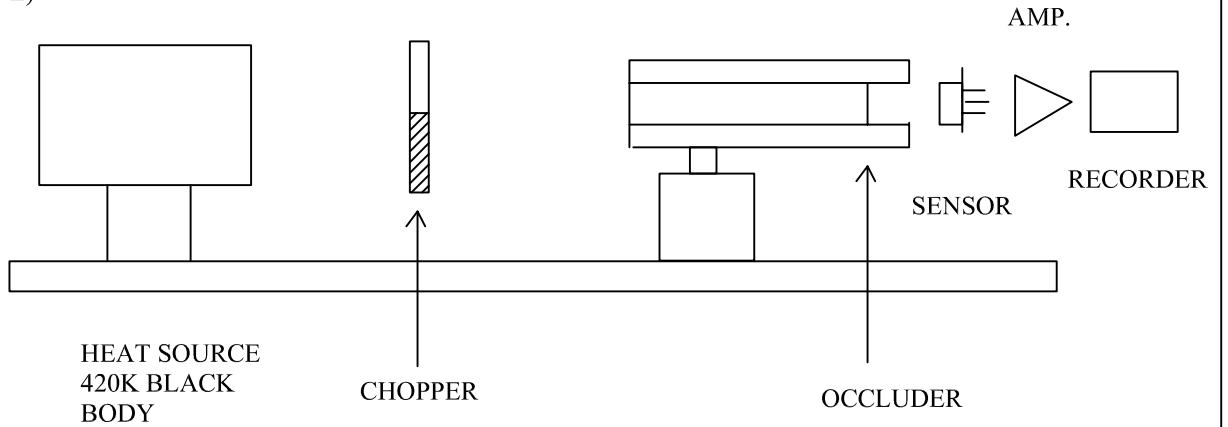
PAGE: 5/6

CHART:

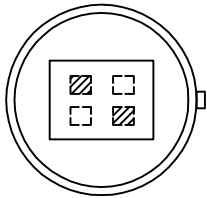
EDITION: A

SHANGHAI NICERA SENSOR CO.,LTD

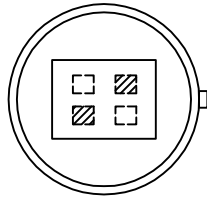
TEST DIAGRAM
(FIGURE E)



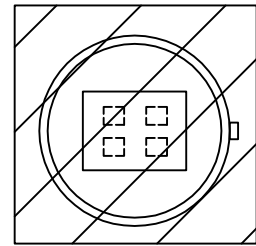
OCCLUDER POSITION



SIGNAL A OUTPUT
(FIGURE F)



SIGNAL B OUTPUT
(FIGURE G)



NOISE OUTPUT
(FIGURE H)

TYPE: NAT80A-2-P

PAGE: 6/6

CHART:

EDITION: A

SHANGHAI NICERA SENSOR CO.,LTD